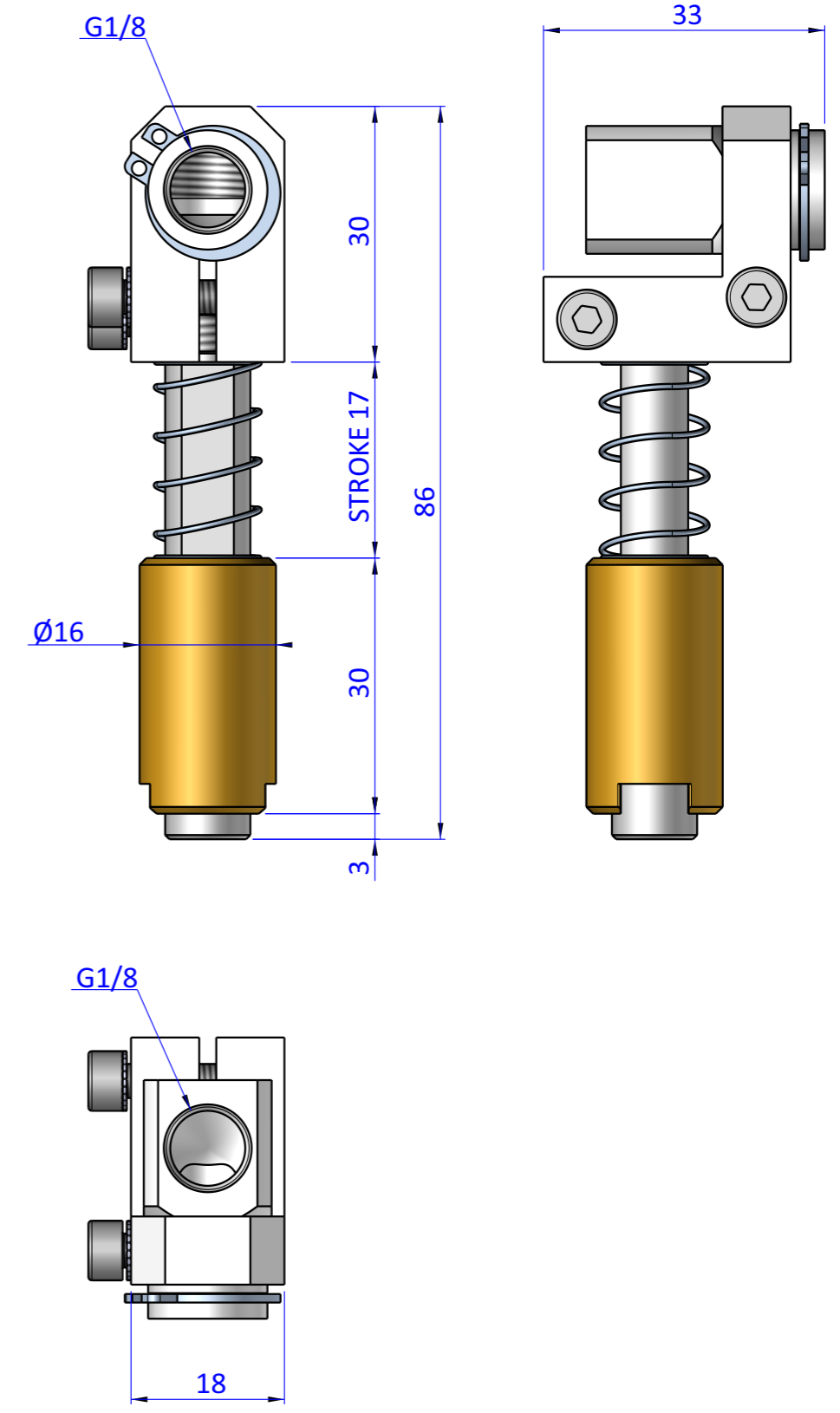
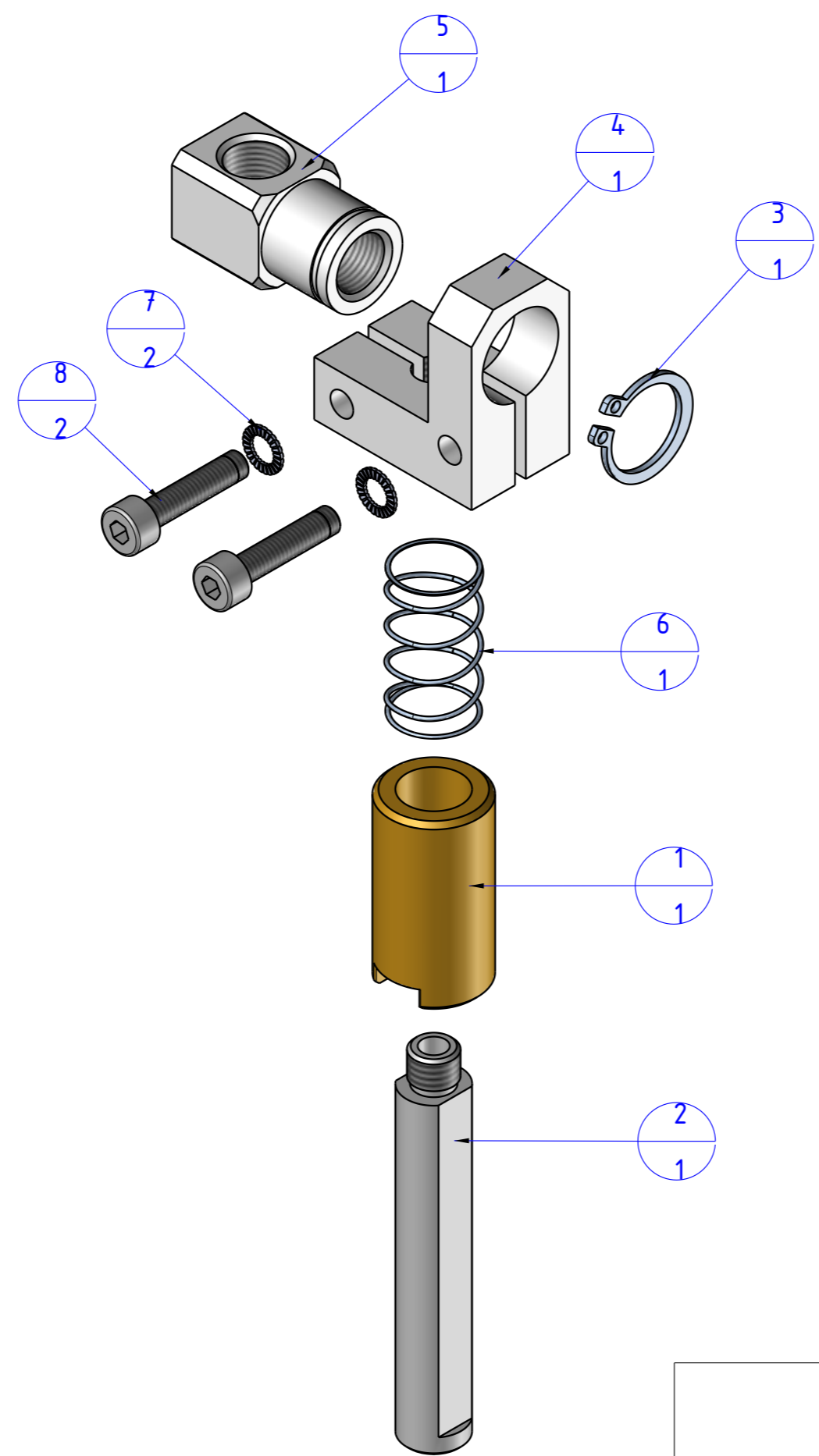

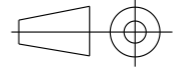


THE PROPERTY OF THE DRAWING IS ESTABLISHED BY LAW. IT IS FORBIDDEN TO PRODUCE OR SHOW IT TO THIRD PART. WITHOUT A WRITTEN AGREEMENT.

Item	Name	Q.ty
1	05.01.001.03	1
2	05.01.001.07	1
3	A.ELA14	1
4	GG.S.01.02	1
5	GG.S.02.02	1
6	M.12x25	1
7	R.4.SCH	2
8	V.TCE4x18	2



Format A3  
UNI 936-76

 <b>FPS</b> FPSERVICES AUTOMATION			DESIGNED FROM <b>FPS Automation</b>	REVIEW <b>A</b>
GENERAL TOLERANCE UNI - ISO 2768 CLASSE f	DESCRIPTION <b>CA.GGS161815</b>	DATE <b>09/09/2020</b>	WEIGHT <b>0,084kg</b>	CODE <b>CA.GGS161815</b>